

## ADMIRAL ACCESSORIES & PACKAGES

### LM-618 - Lectern Gooseneck Microphone

24" phantom powered gooseneck microphone w/ electret condenser mic element & XLR connector.

### LC-400 - Admiral Slipcover

Padded nylon slipcover

### LK-LIB - Admiral w/ Liberty Sound System

Admiral portable lectern, gooseneck microphone and Liberty portable AC/DC powered sound system

### LK-XTR - Admiral w/ Xtreme Sound System

Admiral portable lectern, gooseneck microphone and Xtreme portable AC powered sound system

**Anchor Audio Customer Service**

**888-444-6077**

## ADMIRAL TECHNICAL SPECIFICATIONS

### FL-6000 Assembled Dimensions

Total (HWD)	46 x 25 x 20" / 117 x 64 x 51 cm
Table Top (WD)	24 x 21.5" / 61 x 55 cm
Console Opening (HWD)	25 x 13.5 x 10" / 64 x 34 x 25 cm
Weight	58 pounds / 26 Kg

### FL-6000 Shipping Dimensions

Total (HWD)	16.5 x 39 x 24" / 42 x 99 x 61 cm
Weight	60 pounds / 27 Kg

### LM-618 Microphone

Element Type	Electret condenser
Mic Output (Post Fader)	Lo-Z, transformer balanced, XLR
Phantom Power Voltage	9-52 volts DC

(Specifications subject to change without notice)



## Admiral Portable Lectern System

### OWNER'S MANUAL



### A MESSAGE FROM THE OWNER

Thank you for choosing an Anchor Audio portable lectern system. Our products incorporate state-of-the-art design and the finest quality of materials and workmanship. We're proud of our products and appreciate the confidence which you have shown by selecting an Anchor system.

I hope you'll take a few minutes to review this manual. We've incorporated several unique features into our products, your knowledge of how to use them will enhance the performance and your enjoyment of the system.

David Jacobs, President  
on behalf of all Anchor Employees



**Anchor Audio, Inc.**

Portable Sound Systems • Torrance, California

## GETTING STARTED

Please check your new unit carefully for any damage which may have occurred during shipment. Each Anchor product is carefully inspected at the factory and packed in specially designed boxes for safe transport.

Notify the freight carrier immediately of any damage to the shipping box or product. Repack the unit in the original box and wait for inspection by the carrier's claim agent. Notify your dealer of the pending freight claim.

**NOTE: All damage claims must be made with freight carrier!**

### RETURNING SYSTEMS FOR SERVICE OR REPAIR

For service or repair, please contact the dealer you purchased your system from or Anchor Audio Customer Service at (888) 444-6077 to obtain a RA (Return Authorization) number. All shipments to Anchor Audio must include an RA number and must be shipped prepaid. C.O.D. shipments will be refused and returned at your expense.

**IMPORTANT: Save shipping box & packing materials, they were specially designed to ship your unit!**

### WARRANTY REGISTRATION

Please go to our website ([www.anchoraudio.com](http://www.anchoraudio.com)) and select "Warranty Registration". Completing this online registration form will activate your limited six-year warranty.

## INSTALL A PORTABLE SOUND SYSTEM

The Admiral Lectern is designed to house a portable sound system like the Anchor Audio Liberty and Xtreme. You must assemble the lectern before installing a sound system.

### INSTALL A SOUND SYSTEM

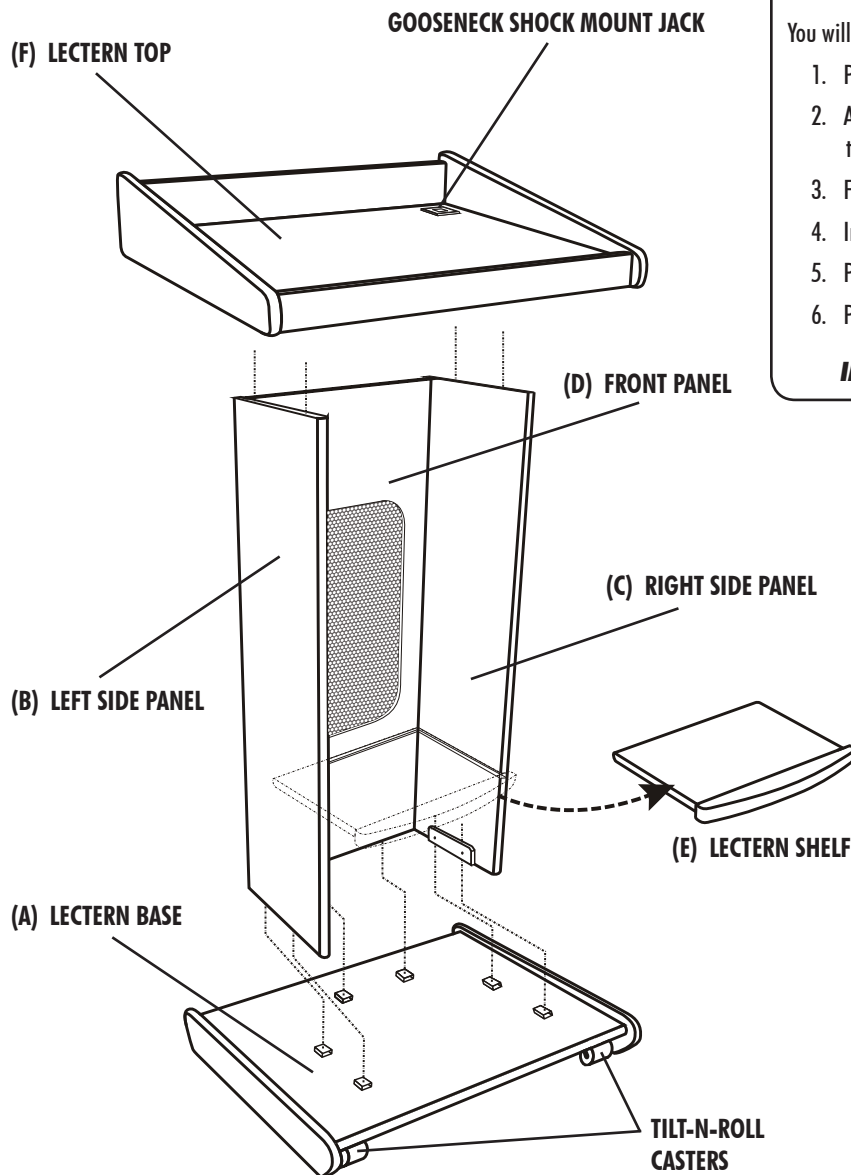
After you assemble the lectern and position it on a flat surface:

1. Place sound system inside cabinet on shelf as shown
2. Connect lectern microphone cable to sound system

See your sound system manual for instructions on it's operation.



**CAUTION: Remove sound system before moving lectern!**



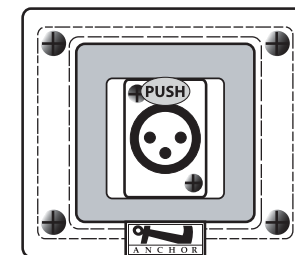
**ADMIRAL PORTABLE LECTERN  
PART # FL-6000**

## ASSEMBLY INSTRUCTIONS

You will need a phillips-head screwdriver to complete assembly.

1. Place BASE (A) on level ground with wheel side down
2. Attach left (B) & right (C) SIDE PANELS to BASE using two screws each
3. Fit FRONT PANEL (D) into place and screw into BASE
4. Insert SHELF (E) as shown and secure with screw
5. Position TOP (F) and attach from below with six screws
6. Plug gooseneck microphone firmly into JACK on TOP

**IMPORTANT: Do not over tighten screws.**



**GOOSENECK SHOCK MOUNT JACK**

### Admiral Lectern Parts List

(A) Base	1 ea.
(B) Left Side Panel	1 ea.
(C) Right Side Panel	1 ea.
(D) Front Panel	1 ea.
(E) Shelf	1 ea.
(F) Top	1 ea.
(G) Screws	13 ea.